

TMS Scheduling

Architectural Ironmongers



F-Pro Shelving Brochure

TMS Scheduling

Architectural Ironmongers

F-Pro Shelving Systems



TMS Scheduling

Architectural Ironmongers

F-Pro Shelving Systems

F-Pro Strong Versatile Shelving Systems

F-Pro metal adjustable shelving system is the only shelving system to offer BioCote® anti-microbial protection.

F-Pro is a steel, wall mounted adjustable shelving and storage system epoxy/polyester or polyester powder coated white and is suited to a wide variety of applications, providing flexibility for the specifier, contractor or end user.

F-Pro is product tested and approved to

EN1727:1998 Domestic Furniture – Storage Furniture – Safety requirements and test methods

BS4875-7:1998 Level 5 Furniture – Strength and stability of furniture (Part 7: Methods for determination of strength and durability of storage furniture – Test Level 5: Severe contract)

BioCote® Anti-Microbial Protection.

F-Pro incorporates a patent protected powder coating technology that inhibits microbial growth, it is based on the active agent silver which is proven as an excellent anti-microbial with low toxicity against non target organisms. BioCote® works throughout the entire life of the product, effectively inhibiting the growth of micro-organisms such as the antibiotic resistant MRSA, Listeria, E-coli and Salmonella, the addition of the active agent has no effect on the product except to make it anti-microbial.

BioCote® is not a replacement for cleaning but a second line of defence, complementing existing hygiene practices and this advanced technology is available at no extra cost.

BioCote® is effective against a wide range of bacteria and fungi, including:-

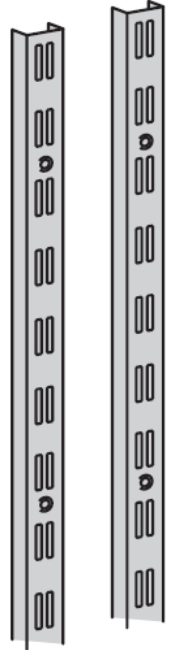
- **Bacillus subtilis**
- **Escherichia coli**
- **Enterobacter aerogenes**
- **Listeria monocytogenes**
- **Legionella pneumophila**
- **Salmonella enteritidis**
- **Salmonella typhimurium**
- **Staphylococcus aureus including MRSA**
- **Streptococcus faecalis**
- **Pseudomonas aeruginosa**



TMS Scheduling

Architectural Ironmongers

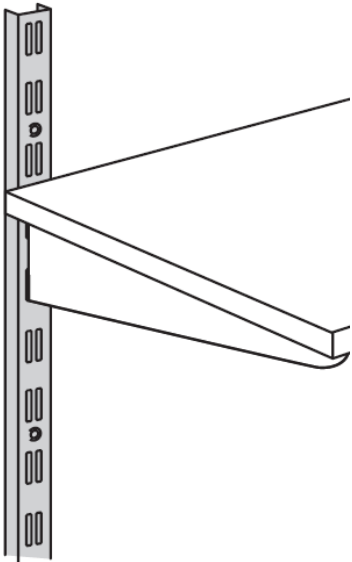
F-Pro Shelving Systems



F-Pro Upright Adjustable Supports

White upright supports are available in the following lengths

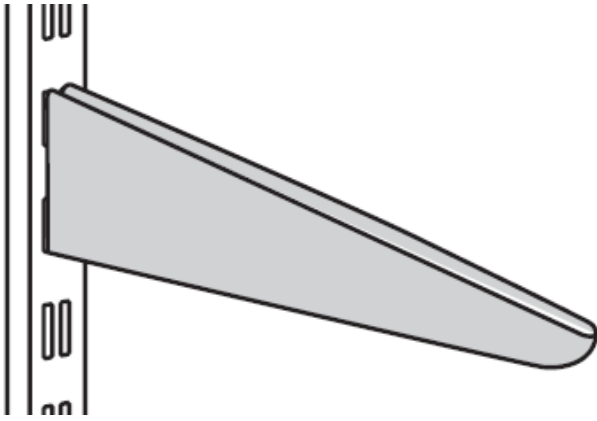
807729-43	430mm	807729-160	1600mm
807729-71	710mm	807729-198	1980mm
807729-100	1000mm	807729-240	2400mm
807729-122	1220mm		



TMS Scheduling

Architectural Ironmongers

F-Pro Shelving Systems

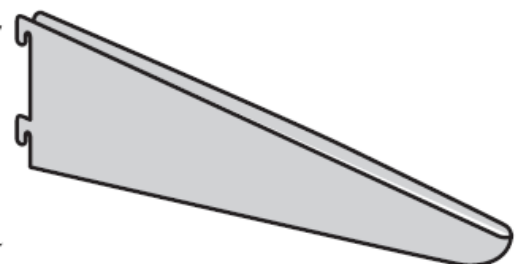


F-Pro Adjustable Shelving Bracket

White adjustable shelving brackets to suit upright adjustable supports are available in the following sizes

807700-12	120mm	807700-37H	370mm*
807700-17	170mm	807700-47H	470mm*
807700-22	220mm	807700-61H	610mm*
807700-27	270mm		
807700-32	320mm		
807700-37	370mm		

* Heavy Duty Version



TMS Scheduling

Architectural Ironmongers

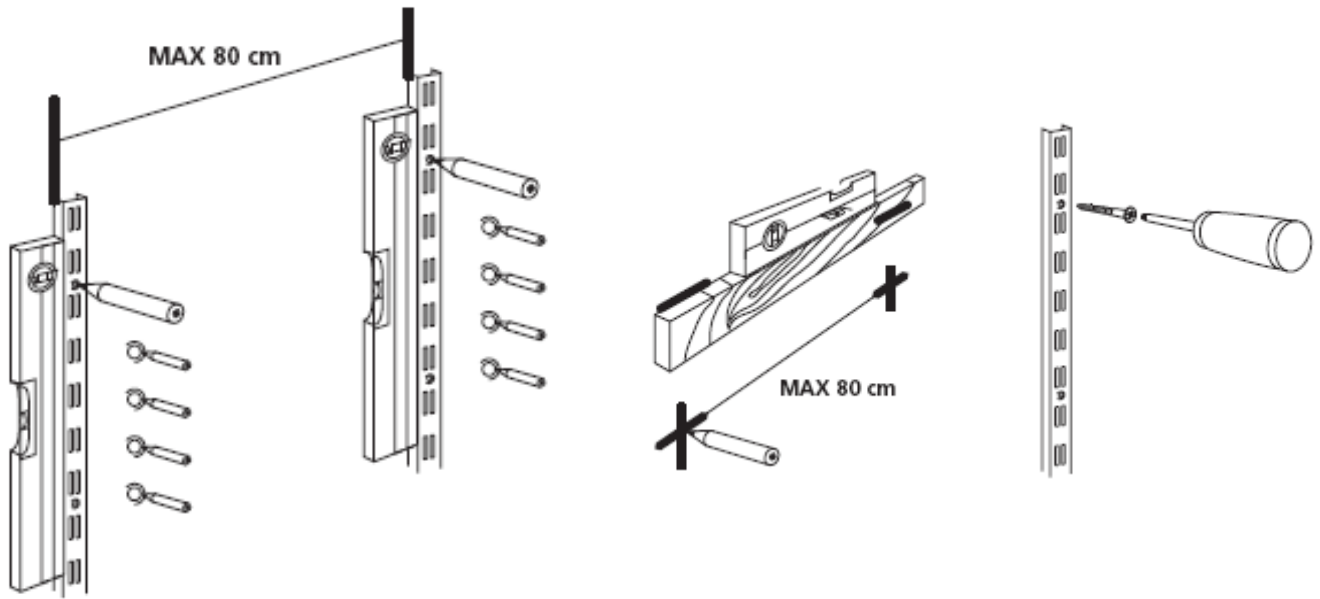
F-Pro Shelving Systems

Preparation

The wall should be of sound construction with a sufficient load bearing capacity, the wall and fastening devices will need to withstand the forces generated from the shelving and the load.

Recommended Distances

Maximum distance between uprights when using wooden or glass shelves should be no more than 800mm, maximum overhang at the end of the shelves should be no more than 100mm.



Recommended Bracket Sizes

Depth of Shelf	150mm	200mm	250mm	300mm	350mm	400mm	500mm	650mm
Size of Bracket	120mm	170mm	220mm	270mm	320mm	370mm	470mm	610mm

Weight Loading Values (based on evenly distributed loads across the brackets) * Heavy Duty Bracket

Size of Bracket	120mm	170mm	220mm	270mm	320mm	370mm	370mm*	470mm*	610mm*
Maximum Weight Loading Per Bracket	60kg	55kg	47kg	40kg	32.5kg	30kg	65kg	45kg	37.5kg

TMS Scheduling

Architectural Ironmongers

F-Pro Shelving Systems



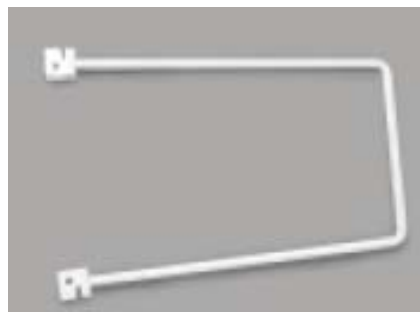
F-Pro Adjustable Shelving Systems - Accessories

White accessories to match the F-Pro adjustable shelving systems.

Shelf Ends for wooden shelves (left or right hand) available in sizes 150mm, 200mm and 250mm.

Spring rodded book ends available in sizes 150mm, 200mm and 250mm.

Book supports and Fixing Packs are also available upon request.



TMS Scheduling

Architectural Ironmongers

Functional & Decorative Brackets



F-Pro also manufacture a range of functional brackets including Cantilever & Mitred suitable for domestic and commercial storage needs.

Mitred Brackets are suitable for domestic and commercial heavy item storage and are available in sizes 200x200mm, 250x250mm, 300x300mm or 350x350mm.

Reinforced Cantilever Brackets are similar to the mitred bracket but for medium weight storage and are available in sizes 150x120mm, 200x150mm or 250x200mm

The standard Cantilever Brackets are suitable for lighter loads and are available in sizes 100x75mm, 150x120mm 200x150mm or 250x200mm.

Also available from F-Pro are a range of decorative brackets that offer a wide choice of modern stylish brackets for both wood or glass shelves, further information and prices are available upon request.



TMS Scheduling

Architectural Ironmongers

Other Products Available



Unit 4, Pooley Hall Farm Buildings, Pooley Lane,
Polesworth, Tamworth, Staffordshire, B78 1JA

Tel: 01827 898138 Fax: 01827 898198 Mobile: 07880 557568 or 07767 698911

E-Mail: stockton@caplan13.fsnet.co.uk Website: www.tms-scheduling.co.uk

VAT Reg No. 776 3799 62

TMS Scheduling

Architectural Ironmongers



Unit 4, Pooley Hall Farm Buildings, Pooley Lane,
Polesworth, Tamworth, Staffordshire, B78 1JA

Tel: 01827 898138 Fax: 01827 898198 Mobile: 07880 557568 or 07767 698911

E-Mail: stockton@caplan13.fsnet.co.uk Website: www.tms-scheduling.co.uk

VAT Reg No. 776 3799 62