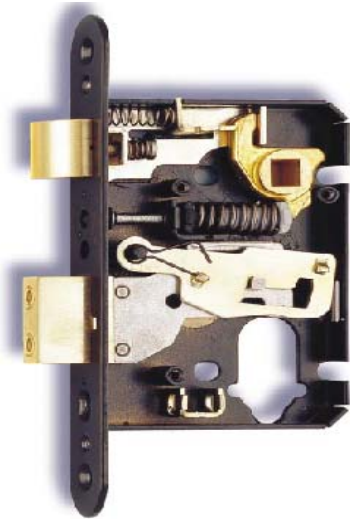
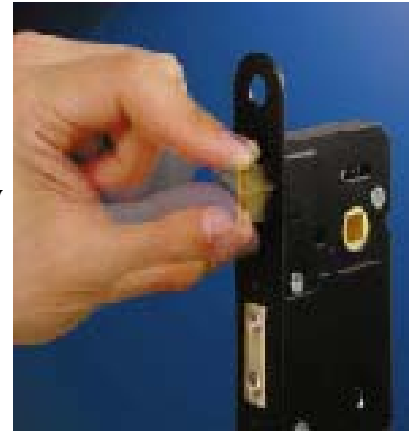


# T M S Scheduling

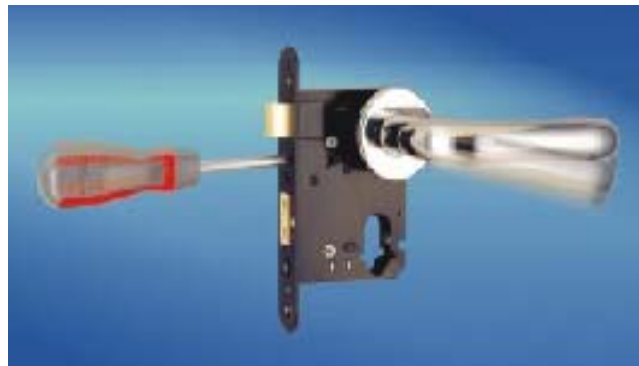
## Legge 'X' Tension Cylinder Locks



8157 Legge Series 'X' Tension modular range of lock, latch & bathroom cases featuring dual profile use of either oval or europrofile within same case fully reversible latch bolt without opening cases and unique spring tensioning to ensure horizontal position of levers.



Lever adjustment achieved by use of screw driver adjusting spring tensioning to follower giving perfect horizontal alignment



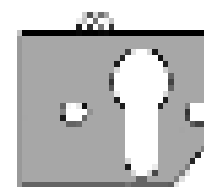
Reversing latch bolt by pull, twist and release then replacing outer forend.

Either standard British oval or europrofile can be used by adding or removing the conversion plate.



Short travel follower allows retraction of live bolt with just 35 degrees of travel to aide use by people with special needs.

Available for bolt through fixings at 38mm, 5mm diameter.



Available with separate conversion kit for use on rebated doors either 12 or 25mm

# T M S Scheduling

## Legge 'X' Tension Cylinder Locks

### 8157 Legge Series 'X' Tension Modular Locks



#### **Pattern No. 8157XL**

Upright Mortice Latch Case 76mm With Reversible Bolt and Tensioning Spring

#### Finishes

SS & PB

#### **Pattern No. 8157X**

Upright Mortice Sashlock Case 76mm With Reversible Bolt and Tensioning Spring, Dual Profile Cylinder Capability (Centres 56mm Oval, 57mm Euro)

#### Finishes

SS & PB



#### **Pattern No. 8157XD**

Upright Mortice Deadlock Case 76mm Dual Profile Cylinder Capability

#### Finishes

SS & PB

#### **Pattern No. 8157XB**

Upright Mortice Bathroom Lock Case 76mm With Reversible Bolt and Tensioning Spring (Centres 57mm – 5mm Indicator Follower)

#### Finishes

SS & PB



#### **Pattern No. 8157N**

Upright Mortice Nightlatch Case 76mm With Reversible Latch Bolt and Anti Thrust Bolt, Dual Profile Cylinder Capability (Centres 48mm)

#### Finishes

SS & PB

#### **Pattern No. 8157XS**

Upright Mortice Sliding Door Deadlock Case 76mm Clawbolt Action, Dual Profile Cylinder Capability

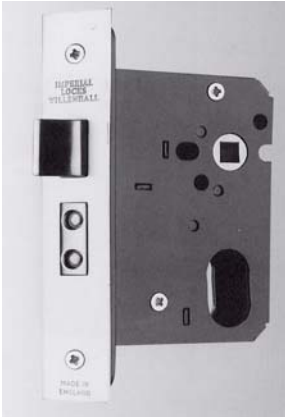
#### Finishes

SS & PB



# T M S Scheduling

## Guardian Cylinder Lock Cases

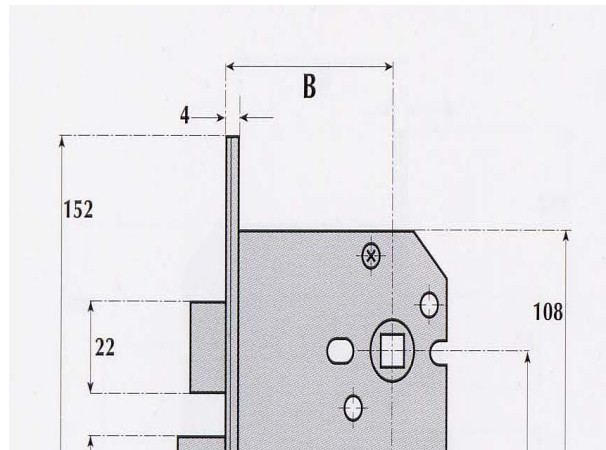


Guardian locks are produced in the United Kingdom and are an ideal specification lock for use on a wide range of projects offering a hard working product at a competitive price giving a full range of functions and finishes.



Bolt through fixing can be used for most ranges of lever furniture.

Also available with roller bolt option.



Reversible latch bolt, supplied with flat plate finish to match forend, 8mm square spindle followers. Heavy duty springing can be offered to special order for use with unsprung levers.



Available in horizontal lock cases for use with knob furniture.

Nightlatches and sliding door locks available upon request.

Separate cases for europrofile or oval cylinders



Available with separate conversion kit for use on rebated doors either 12 or 25mm

# T M S Scheduling

## Guardian Cylinder Lock Cases

### Guardian Lock Cases Only For Use With Oval or Europrofile Cylinders



#### **Pattern No. G7050**

Upright Mortice Sashlock Case 76mm (Centres 48.5mm)

#### **Finishes**

SS & SB (Also available 63mm & 101mm)

#### **Pattern No. G7054**

Mortice Deadlock Case 76mm

#### **Finishes**

SS & SB (Also available 63mm & 101mm)



#### **Pattern No. G7000**

Upright Mortice Sashlock Case 76mm (Centres 51mm)

#### **Finishes**

SS & SB (Also available 63mm & 101mm)

#### **Pattern No. G7004**

Mortice Deadlock Case 76mm

#### **Finishes**

SS & SB (Also available 63mm & 101mm)



#### **Pattern No. G4050**

Mortice Latch 76mm

#### **Finishes**

SS & SB (Also available 63mm & 101mm)

#### **Pattern No. G8020**

Upright Mortice Bathroom Lock 76mm (57mm Centres -  
5mm Bathroom Follower)

#### **Finishes**

SS & SB (Also available 63mm & 101mm)



# T M S Scheduling

## Budget Lock Cases



### Pattern No. ULS 5025/5030

Upright Mortice Latch  
Also available with Rounded Forend

Sizes  
63mm or 76mm

Finishes  
EB & NP



### Pattern No. ESS5025/5030 & OSS5025/5030

Upright Mortice Cylinder Sashlock Case – Oval & Europrofile  
(Centres Oval – 48.5mm Euro - 47.5mm)  
Also available with Rounded Forend

Sizes  
63mm or 76mm

Finishes  
EB & SCP



### Pattern No. EDS5025/5030 & ODS5025/5030

Mortice Cylinder Deadlock Case – Oval & Europrofile  
Also available with Rounded Forend

Sizes  
63mm or 76mm

Finishes  
EB & SCP



### Pattern No. BAE5025/5030

Upright Mortice Easi-T Bathroom Lock – 5mm Bathroom  
Followers (Centres 57mm) Also available with Rounded Forend

Sizes  
63mm or 76mm

Finishes  
EB & NP



### Pattern No. LSB5525/5530 & LDB5525/5530

Upright Mortice 5 Lever Sashlock & Deadlock To BS3621

Sizes  
63mm or 76mm

Finishes  
PB & SCP

Also Available 2 & 3 Lever, Flat Latch, Tubular Latch,  
Economy Bathroom Lock & Economy Latch