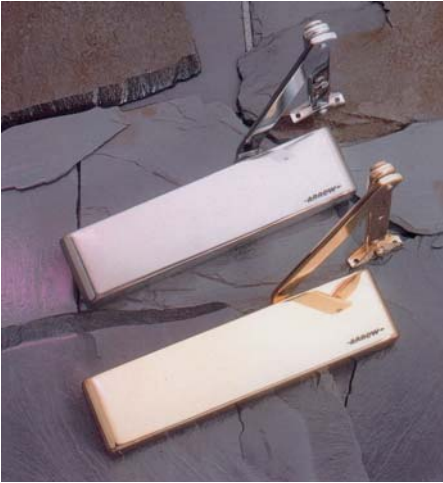
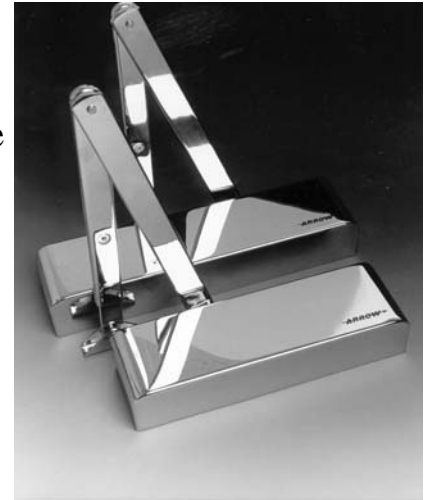


# T M S Scheduling

## Arrow Door Closers



**Arrow** Door Closers are manufactured by Freeman & Pardoe in the UK and conform to the latest British Standards and have been included in successful fire tests and the appropriate certificates are available upon request.



**Arrow** Door Closers are manufactured to suit a wide range of doors and are available to suit all applications including a fully concealed unit.



**Arrow** Door Closers are supplied in a wide range of finishes to co-ordinate with other ironmongery and we always supply them with a matching arm unless requested otherwise.



**Arrow** Door Closers are available in a range of different cover styles to suit individual tastes and décor requirements.



# T M S Scheduling

## Arrow Door Closers



**Arrow** Door Closers are available with the covers illustrated.

Closers are supplied with a *Standard Line* cover unless otherwise requested.

*Standard Line & Flow Line* covers are available in mild steel plated and painted finishes as shown below, they are also available in solid stainless steel and aluminium.

*Smooth Line* covers are available on 300 series closers only, in mild steel plated and painted finishes as shown below.

*Deco Line* covers are available on 300 & 400 series closers only, in mild steel plated and painted finishes as shown below.

### **Finishes Available:**

#### **Painted**

Silver (SE)  
Gold (GE)  
Colour Coated To Standard RAL colours (C/C)

#### **Plated**

Satin Stainless Steel (SSS)  
Polished Stainless Steel (PSS)  
Polished Brass Plated (PB)  
Satin Brass Plated (SB)  
Chrome Plated (CP)  
Satin Chrome Plated (SCP)  
Polished Nickle Plated (PNP)  
Satin Nickle Plated (SNP)  
Imitation Bronze Metal Antique (IBMA)

#### **Solid**

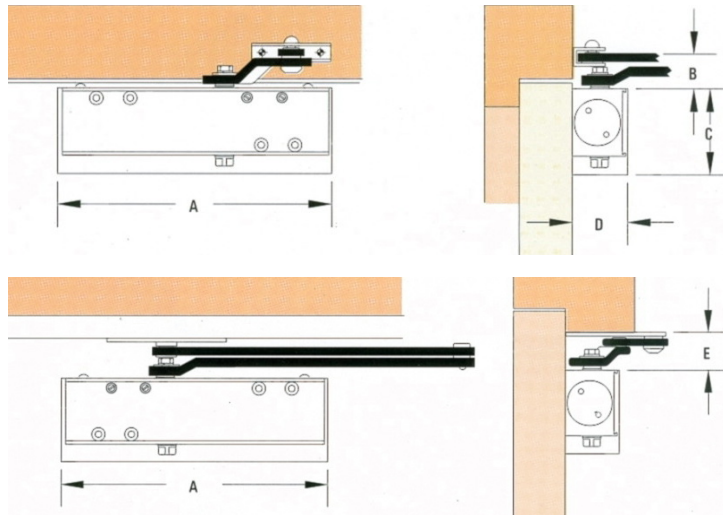
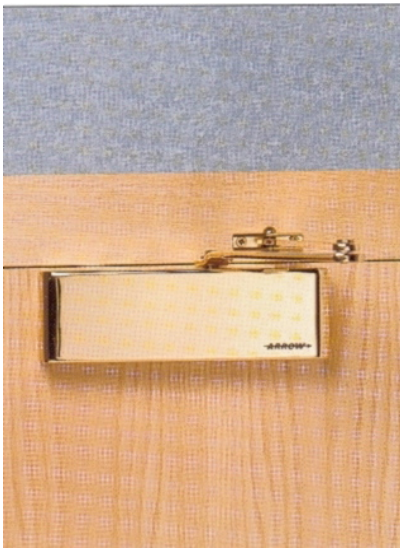
Satin Stainless Steel (SSS)  
Polished Stainless Steel (PSS)  
Satin Aluminium (SAA)  
Polished Aluminium (PAA)  
Bronze Anodised (BAA)

# T M S Scheduling

## Arrow Door Closers

**Overhead Door Closer c/w Universal Arm suitable for fixing Fig 1 or 6 also available transom mounted application and with slide arm.**

**(PB with Flow Line Cover Illustrated)**



### Pattern No.

**300RP**

Standard Finish SE with  
Standard Line Cover (see page  
8) c/w Matching Arm

Also available in

### Painted

GE, C/C

### Plated

SSS, PSS, PB, SB, CP, SCP,  
PNP, SNP, IBMA

### Solid

SSS, PSS, SAA, PAA, BAA

### Dimensions

DIM (A)	206mm
DIM (B)	28mm
DIM (C)	64mm
DIM (D)	42mm
DIM (E)	35mm
DIM (F)	490mm
DIM (G)	22mm

### Features

Adjustable power by position - size 2-4
Independently Tested To BS EN 1154
Standard Arm – Fig 1 & 6 Applications
Optional Backcheck
Optional Delayed Action
Optional Slide Arm

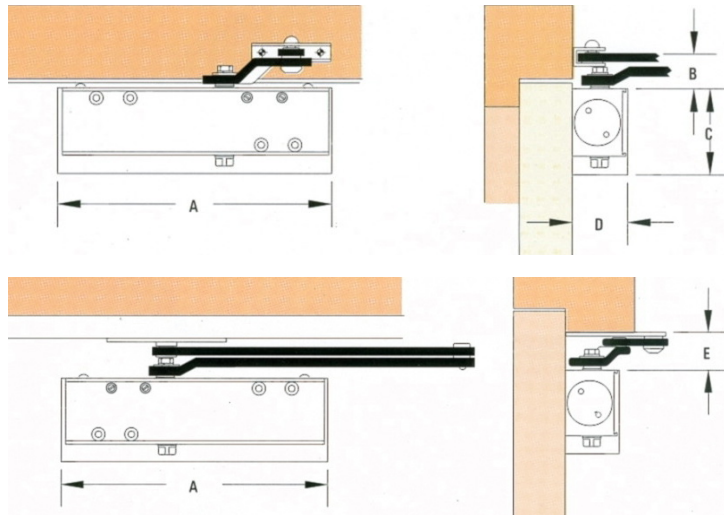
**CERTIFIRE** – Certificate of Approval No. CF277 covers the above unit for use on fire doors under technical schedules TS27 & TS28 .

# T M S Scheduling

## Arrow Door Closers

**Overhead Door Closer c/w Universal Arm suitable for fixing Fig 1, 6 or transom mounted application, also available with slide arm.**

**(PSS with Flow Line Cover Illustrated)**



### Pattern No.

**325VP**

Standard Finish SE with  
Standard Line Cover (see page  
8) c/w Matching Arm

Also available in

#### **Painted**

GE, C/C

#### **Plated**

SSS, PSS, PB, SB, CP, SCP, PNP,  
SNP, IBMA

#### **Solid**

SSS, PSS, SAA, PAA, BAA

### Dimensions

DIM (A) 222mm

DIM (B) 30mm

DIM (C) 75mm

DIM (D) 49mm

DIM (E) 35mm

DIM (F) 490mm

DIM (G) 22mm

### Features

Wind Through Adjustable Power - Size  
2-5

Independently Tested To BS EN 1154

Adjustable Arm – Fig 1, 6 and Transom  
Mounted Applications

Optional Backcheck

Optional Delayed Action

Optional Slide Arm

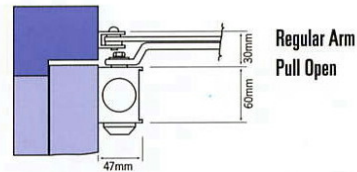
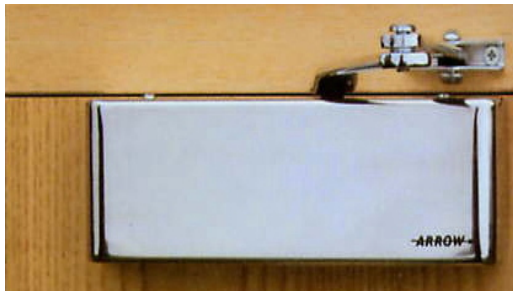
**CERTIFIRE** – Certificate of Approval No. CF277 covers the  
above unit for use on fire doors under technical schedules TS27 &  
TS28.

# T M S Scheduling

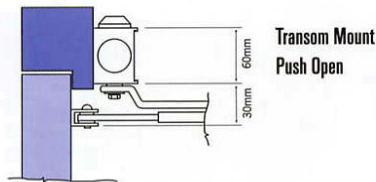
## Arrow Door Closers

**Overhead Door Closer c/w Universal Arm suitable for fixing Fig 1, 6 Also available transom mounted application, and with slide arm.**

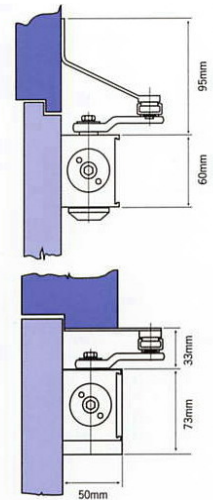
**(PSS with Flow Line Cover Illustrated)**



Regular Arm  
Pull Open



Transom Mount  
Push Open



Push Open  
with  
39 Bracket

Parallel Arm Push  
Open  
with  
Overall Cover

### Pattern No.

**402-4RP or 404-6RP**

Standard Finish SE with  
Standard Line Cover (see page  
8) c/w Matching Arm

Also available in

#### Painted

GE, C/C

#### Plated

SSS, PSS, PB, SB, CP, SCP, PNP,  
SNP, IBMA

#### Solid

SSS, PSS, SAA, PAA, BAA

### Size Ranges

#### **402-4RP**

Door Mass 850mm to  
1100mm Door Weight  
40kg to 80kg Minimum  
Closing Moment at 2  
degrees 13-26 at 90  
degrees 4-9

#### **404-6RP**

Door Mass 1100mm to  
1400mm Door Weight  
80kg to 120kg Minimum  
Closing Moment at 2  
degrees 26-54 at 90  
degrees 9-18

### Features

Adjustable Power Size By Position 2-4  
on 402-4RP and 4-6 on 402-6RP

Tested To BS EN 1154

Standard Arm – Fig 1, 6 Applications

Optional Backcheck

Optional Delayed Action

Optional Slide Arm

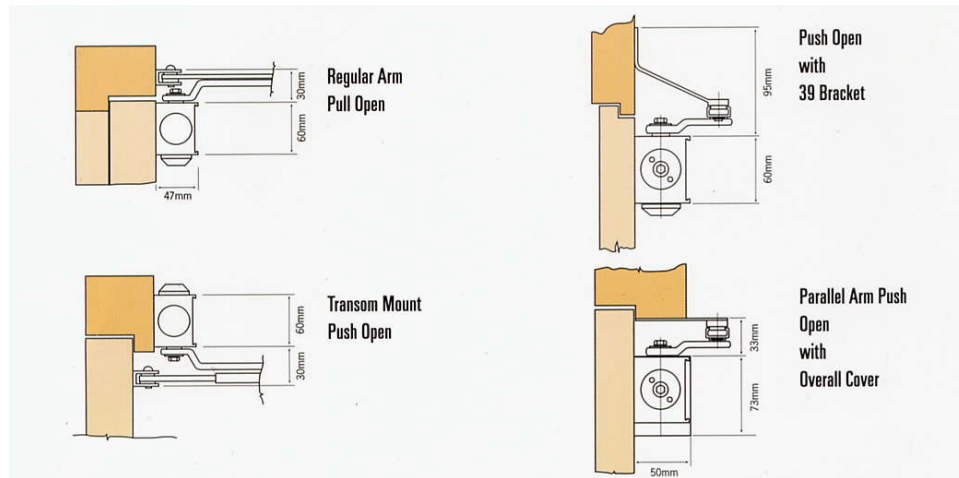
Certificate of Fire Resistance IFC Approved Certificate No.  
IFCA93086/2 upto and including 120 minutes BS476 Part 22.

# T M S Scheduling

## Arrow Door Closers

**Overhead Door Closer c/w Universal Arm suitable for fixing Fig 1, 6 or transom mounted application, also available with slide arm.**

**(PSS & PB with Flow Line Cover Illustrated)**



### Pattern No.

**426VP**

Standard Finish SE with Standard Line Cover (see page 8) c/w Matching Arm

Also available in

#### Painted

GE, C/C

#### Plated

SSS, PSS, PB, SB, CP, SCP, PNP, SNP, IBMA

#### Solid

SSS, PSS, SAA, PAA, BAA

### Size Ranges

**426VP**

Door Mass 850mm to 1400mm  
Door Weight 40kg to 120kg  
Minimum Closing Moment at 2 degrees 13-54 at 90 degrees 4-18

### Features

Wind Through Adjustable Power - Size 2-6

Tested To BS EN 1154

Adjustable Arm – Fig 1, 6 and Transom Mounted Applications

Optional Backcheck

Optional Delayed Action

Optional Slide Arm

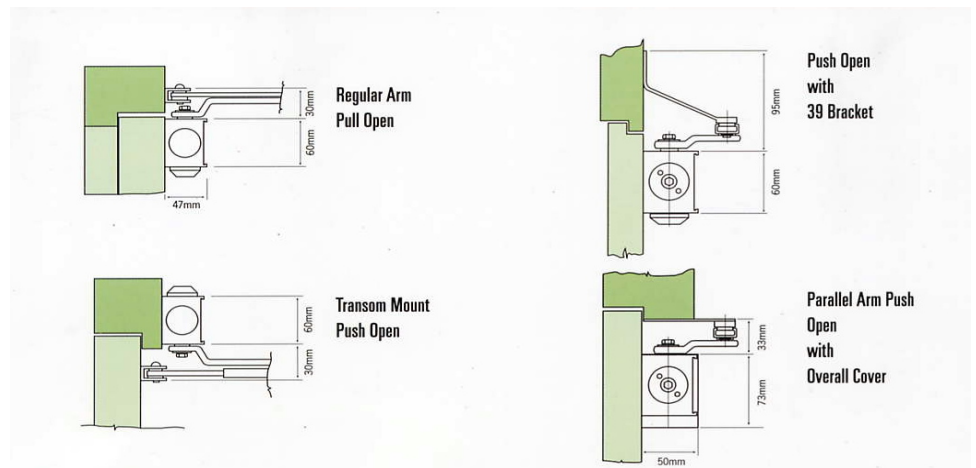
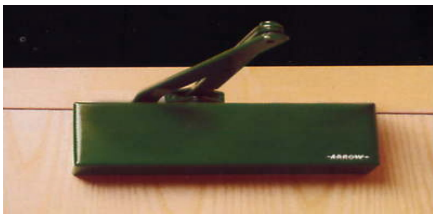
Certificate of Fire Resistance IFC Approved Certificate No. IFCA93086/2 upto and including 120 minutes BS476 Part 22.

# T M S Scheduling

## Arrow Door Closers

**Overhead Door Closer c/w Universal Arm suitable for fixing Fig 1, 6 or transom mounted application, also available with slide arm.**

**(Top – C/C with Flow Line Cover & Bottom - PB with Flow Line Cover Illustrated)**



### Pattern No.

**517VP**

Standard Finish SE with Standard Line Cover (see page 8) c/w Matching Arm

Also available in

#### **Painted**

GE, C/C

#### **Plated**

SSS, PSS, PB, SB, CP, SCP, PNP, SNP, IBMA

#### **Solid**

SSS, PSS, SAA, PAA, BAA

### Size Ranges

**517VP**

Door Mass 750mm to 1600mm Door Weight 20kg to 120kg Minimum Closing Moment at 2 degrees 9-87 at 90 degrees 3-29

### Features

Wind Through Adjustable Power - Size 1-7

Tested To BS EN 1154

Adjustable Arm – Fig 1, 6 and Transom Mounted Applications

Optional Backcheck

Optional Delayed Action

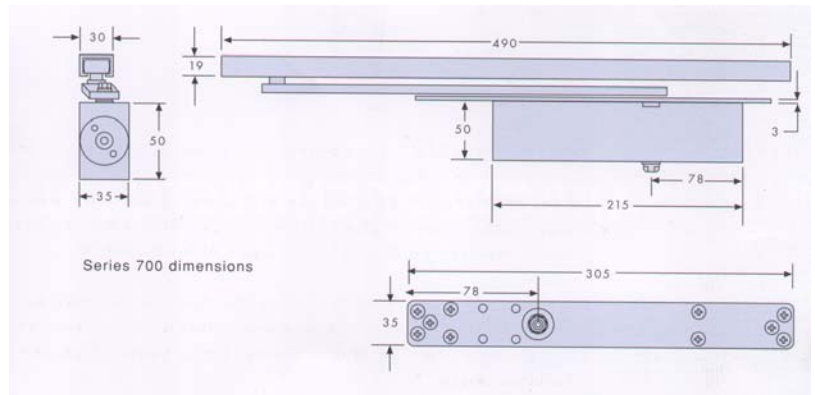
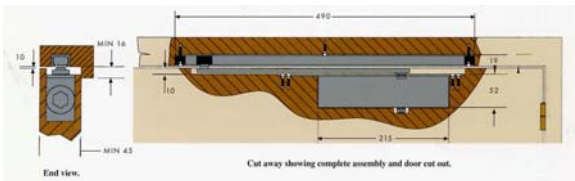
Optional Slide Arm

Certificate of Fire Resistance IFC Approved Certificate No. IFCA93086/3 upto and including 120 minutes BS476 Part 22.

# T M S Scheduling

## Arrow Door Closers

**Concealed Overhead Door Closer c/w Concealed Slide Arm suitable for fixing in top rail of door non handed**



### Pattern No.

**701**

Standard Finish SE Arm

Arms also available in

**Painted**

GE, C/C

**Plated**

SSS, PSS, PB, SB, CP, SCP, PNP, SNP, IBMA

**Solid**

SSS, PSS, SAA, PAA, BAA

### Size Ranges

**701**

Doors To 850mm Wide

Minimum Door Thickness  
44mm

Minimum Top Frame

20mm Depth

Minimum Top Rail 70mm

Depth

Maximum Door Opening

115 Degrees

### Features

Wind Through Adjustable Power -  
Size 2-3

Tested To BS EN 1154

Optional Delayed Action

Intumescent Gasket Set Available To  
Suit

Certificate of Fire Resistance IFC Approved Certificate No.

IFCA01254 upto and including 60 minutes BS476 Part 22.

Performance for 45mm thick fire door to 30 minutes and 54mm thick doors to 60 minutes when fitted with **Arrow** intumescent gasket sets.

# T M S Scheduling

## Briton Door Closers



**Briton** Door Closers are manufactured by Ingersoll Rand and conform to the latest British Standards and have been included in successful fire tests. The appropriate certificates are available upon request.



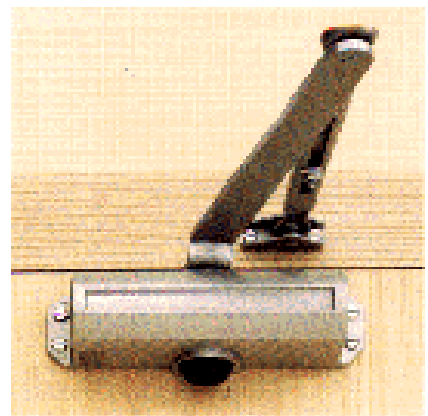
**Briton** Door Closers are manufactured to suit a variety of door widths and weights and are produced in various styles.



**Briton** Door Closers are supplied in a wide range of finishes to co-ordinate with other ironmongery and we always supply them with a matching arm unless requested otherwise.

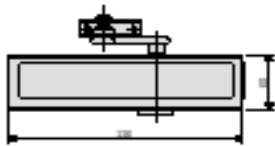
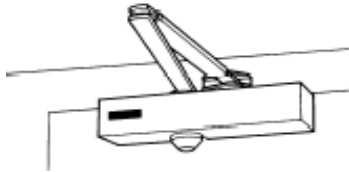
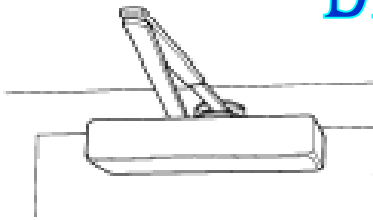


**Briton** Door Closers are available in a range of different styles to suit individual tastes and décor requirements.



# T M S Scheduling

## Briton Door Closers



Silver sprayed  
with matching arms  
(SES)



Brown sprayed  
with matching arms  
(BES)



Gold sprayed  
with matching arms  
(GES)



Polished and lacquered brass  
with matching arms  
(PBS)



Chrome plated  
with matching arms  
(PCPS)



Polished stainless steel  
with matching arms  
(PSS)



Satin stainless steel  
with matching arms  
(SSS)

**Briton** Door Closers are supplied with matching arms as standard – they are also available with black arms if requested.

**Accufit Closers** are supplied as standard with LC covers they are also available with SC covers upon request. Covers available in mazac plated and powder coated finishes as shown below.

**2000E Series Closers** covers are available in mild steel plated and painted finishes as shown below

**200 Series Trimplate Closers** are available in various body sizes to suit different application requirement, where budget is the prime concern in powder coated finishes as below.

**121 Closers Low budget** unit available in the powder coated finishes shown below

### Finishes Available:

#### Powder Coated

Silver (SES)

Gold (GES)

Brown Bronze (BES)

Colour Coated To Standard RAL Colours (NuS)

#### Plated

Satin Stainless Steel (SSS)

Polished Stainless Steel (PSS)

Polished Brass Plated (PBS)

Satin Brass Plated (SBS)

Polished Chrome Plated (PCPS)

Satin Chrome Plated (SCS)

# T M S Scheduling

## Briton Door Closers

### *Accufit 3000* Template and Quick Fit Backplate System

The Accufit 3000 Series door closers offer simple, rapid and accurate installation, covering a wide range of applications and finishes to suit most situations and décor. The closers are third party tested to BS EN 1154 and fire assessed to BS 476 Part 22 1987

The Accufit series is manufactured under the well known Briton brand name by Ingersoll Rand the worldwide engineering group.



3200 cut away showing spring strength adjustments

#### Available in Models

3100 Adjustable by template

3200 Adjustable by spring strength wind through selection

3300 Adjustable by spring strength wind through selection

3400 Adjustable by spring strength wind through selection

Models 3200, 3300, 3400 are fitted with adjustable backcheck as standard

Model 3400 is fitted with delay action as standard

Models 3200 and 3300 Can be supplied with a non projecting track arm

Maximum angle of opening on all units 180 degrees

Speed of closing on all units can be adjusted from 180 degrees to 0 degrees

Latch Action to ensure final closing of the door fitted to all models

Suitable for fire doors when adjusted to power size 3 and above

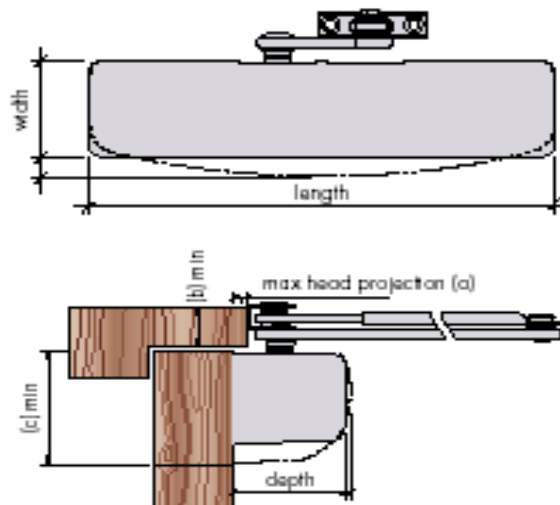
Special brackets available for use with overpanels or ornamental architraves

# T M S Scheduling

## Briton Door Closers

**Accufit 3100 Overhead Door Closer c/w Tri-Pack Universal Arm suitable for fixing Fig 1, 61 or 66**

**(PBS with LC Cover Illustrated)**



### Pattern No.

**LC3100**

Standard Finish SE with LC Cover c/w Matching Arm

Also available in

**Powder Coated**

GES, NuS

**Plated**

SSS, PSS, PBS, SBS, PCPS, SCS

### Dimensions - LC

Length 258mm

Width 59mm

Depth 62mm

### Figure 1 Application Arm

DIM (a) 10mm

DIM (b) 26mm

DIM (c) 62mm

### Features

Adjustable Power by Template - size 2-4

Independently Tested To BS EN 1154

Accufit Template and Quick Fit Backplate Supplied

Tri-packed for Fig 1, 61 or 66

Also Available with SC Cover

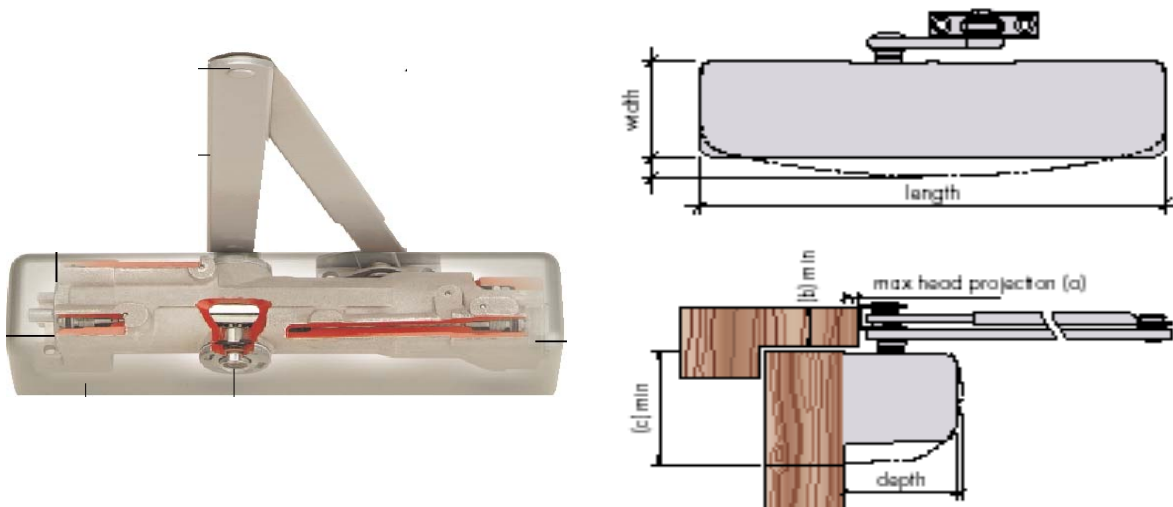
**Fire Assessed**– BS 476 Part22: 1987

# T M S Scheduling

## Briton Door Closers

**Accufit 3200 Overhead Door Closer c/w Tri-Pack Universal Arm suitable for fixing Fig 1, 61 or 66**

**(SES with LC Cover Cut Away Illustration)**



### Pattern No.

**LC3200**

Standard Finish SE with LC Cover c/w Matching Arm

Also available in

**Powder Coated**

GES, NuS

**Plated**

SSS, PSS, PBS, SBS, PCPS, SCS

### Dimensions - LC

Length 258mm

Width 59mm

Depth 62mm

### Figure 1 Application Arm

DIM (a) 10mm

DIM (b) 26mm

DIM (c) 62mm

### Features

Adjustable Power by Template - size 2-4

Independently Tested To BS EN 1154

Accufit Template and Quick Fit Backplate Supplied

Tri-packed for Fig 1, 61 or 66

Backcheck supplied as standard

Also Available with SC Cover

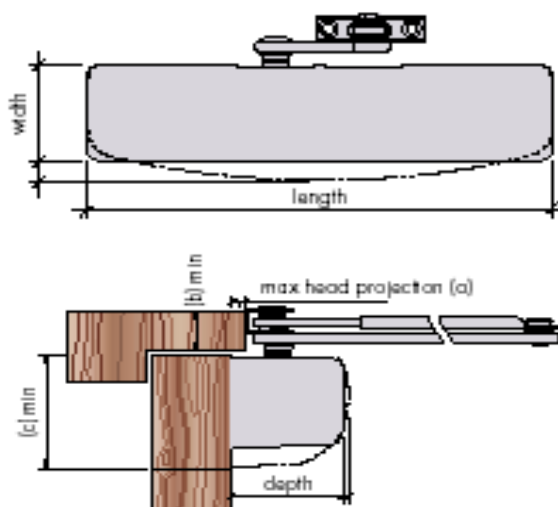
**Fire Assessed**– BS 476 Part22: 1987

# T M S Scheduling

## Briton Door Closers

**Accufit 3300 Overhead Door Closer c/w Tri-Pack Universal Arm suitable for fixing Fig 1, 61 or 66**

**(SES with SC Cover Illustrated)**



### Pattern No.

**LC3300**

Standard Finish SE with LC Cover c/w Matching Arm

Also available in

**Powder Coated**

GES, NuS

**Plated**

SSS, PSS, PBS, SBS, PCPS, SCS

### Dimensions - LC

Length 318mm

Width 74mm

Depth 62mm

### Figure 1 Application Arm

DIM (a) 7mm

DIM (b) 28mm

DIM (c) 78mm

### Features

Adjustable Power Wind Through- size 2-6

Independently Tested To BS EN 1154

Accufit Template and Quick Fit Backplate Supplied

Tri-packed for Fig 1, 61 or 66

Backcheck supplied as standard

Also Available with SC Cover

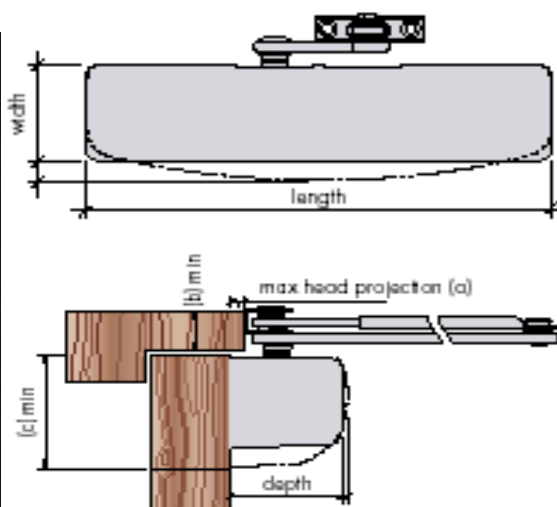
**Fire Assessed**– BS 476 Part22: 1987

# T M S Scheduling

## Briton Door Closers

**Accufit 3400 Overhead Door Closer c/w Tri-Pack Universal Arm suitable for fixing Fig 1, 61 or 66**

**(PB with LC Cover Illustrated)**



### Pattern No.

**LC3400**

Standard Finish SE with LC Cover c/w Matching Arm

Also available in

**Powder Coated**

GES, NuS

**Plated**

SSS, PSS, PBS, SBS, PCPS, SCS

### Dimensions - LC

Length 318mm

Width 74mm

Depth 62mm

### Figure 1 Application Arm

DIM (a) 7mm

DIM (b) 28mm

DIM (c) 78mm

### Features

Adjustable Power Wind Through- size 2-6

Independently Tested To BS EN 1154

Accufit Template and Quick Fit Backplate Supplied

Tri-packed for Fig 1, 61 or 66

Backcheck supplied as standard

Delayed Action supplied as standard

Also Available with SC Cover

**Fire Assessed**– BS 476 Part22: 1987

# T M S Scheduling

## Briton Door Closers

### *2000E series door closers*

The well known and respected Briton 2000E Series of door closers offer three different spring sizes for different door widths as well as wind through units all supplied tri-packed for fig 1,66 or 61 applications, some available with track arm if required.



Available in Models

2002E Fixed Strength Closer

2003E Fixed Strength Closer

2004E Fixed Strength Closer

2515E Adjustable by spring strength wind through selection

2715 Adjustable by spring strength wind through selection

Models 2515E & 2715 are fitted with adjustable backcheck as standard

Model 2715 is fitted with delay action as standard

Models 2002 & 2003 Can be supplied with a non projecting track arm

Maximum angle of opening on all units 180 degrees

Speed of closing on all units can be adjusted from 180 degrees to 0 degrees

Latch Action to ensure final closing of the door fitted to all models

Suitable for fire doors when adjusted to power size 3 and above

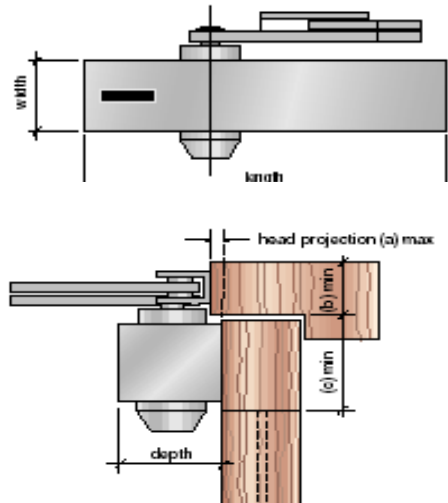
Special brackets available for use with overpanels or ornamental architraves

# T M S Scheduling

## Briton Door Closers

**Briton 2003E Overhead Door Closer c/w Tri-Pack Universal Arm suitable for fixing Fig 1, 61 or 66**

**(PSS Cover & Matching Arm Illustrated)**



### Pattern No.

**2003E**

Standard Finish SE  
c/w Matching Arm

Also available in

**Powder Coated**

GES, NuS

**Plated**

SSS, PSS, PBS, SBS, PCPS, SCS

### Dimensions - LC

Length 249mm

Width 48mm

Depth 59mm

### Figure 1 Application Arm

DIM (a) 10mm

DIM (b) 25mm

DIM (c) 50mm

### Features

Fixed Power - size 3

Independently Tested To BS EN 1154

Tri-packed for Fig 1, 61 or 66

**NB:** Also available power size 2 & 4 in separate bodies quote pattern Nos 2002E or 2004E

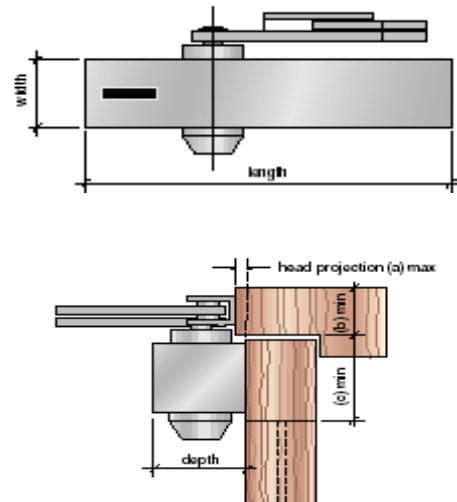
**Fire Assessed**– BS 476 Part22: 1987

# T M S Scheduling

## Briton Door Closers

**Briton 2515E Overhead Door Closer c/w Tri-Pack Universal Arm suitable for fixing Fig 1, 61 or 66**

**(PBS Cover & Matching Arm Illustrated)**



### Pattern No.

**2515E**

Standard Finish SE  
c/w Matching Arm

Also available in

**Powder Coated**

GES, NuS

**Plated**

SSS, PSS, PBS, SBS, PCPS, SCS

### Dimensions - LC

Length 310mm

Width 55mm

Depth 66mm

### Figure 1 Application Arm

DIM (a) 7mm

DIM (b) 28mm

DIM (c) 55mm

### Features

Adjustable Power Wind Through – size 2-6

Independently Tested To BS EN 1154

Tri-packed for Fig 1, 61 or 66

Backcheck supplied as standard

**NB:** Track arm available sizes 1-4 only  
separate body pattern no. 2514TE

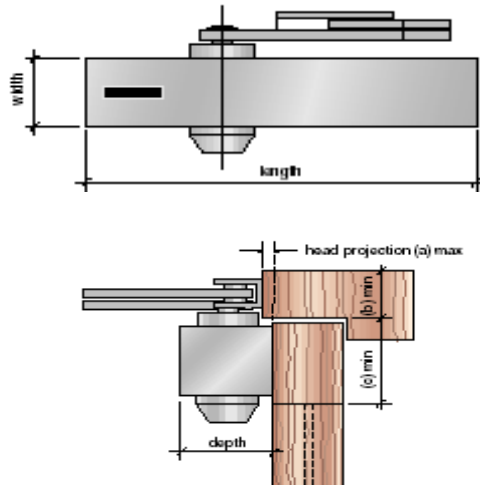
**Fire Assessed**– BS 476 Part22: 1987

# T M S Scheduling

## Briton Door Closers

**Briton 2715 Overhead Door Closer c/w Tri-Pack Universal Arm suitable for fixing Fig 1, 61 or 66**

**(PCPS Cover & Matching Arm Illustrated)**



### Pattern No.

**2715**

Standard Finish SE  
c/w Matching Arm

Also available in

**Powder Coated**

GES, NuS

**Plated**

SSS, PSS, PBS, SBS, PCPS, SCS

### Dimensions - LC

Length 310mm

Width 55mm

Depth 66mm

### Figure 1 Application Arm

DIM (a) 7mm

DIM (b) 28mm

DIM (c) 55mm

### Features

Adjustable Power Wind Through – size 2-6

Independently Tested To BS EN 1154

Tri-packed for Fig 1, 61 or 66

Backcheck supplied as standard

Delay Action supplied as standard

**Fire Assessed**– BS 476 Part22: 1987

# T M S Scheduling

## Briton Door Closers

### *200 series trimplate door closers*

The 200 series is the ideal replacement closer, it has been designed to cover the fixings of popular trimplate design closers on the market. Ideal unit for those working to tight budgetary restraints.



#### Available in Models

210 Template Size Selectable

220 Adjustable by wind through selection

230 Adjustable by wind through selection

240 Adjustable by wind through selection

Models 220, 230 & 240 are fitted with adjustable backcheck as standard

Model 240 is fitted with delay action as standard

Maximum angle of opening on all units 180 degrees

Speed of closing on all units can be adjusted from 180 degrees to 10 degrees

Latch Action to ensure final closing of the door fitted to all models

210, 220 & 230 Models suitable for fire doors when adjusted to power size 3 and above

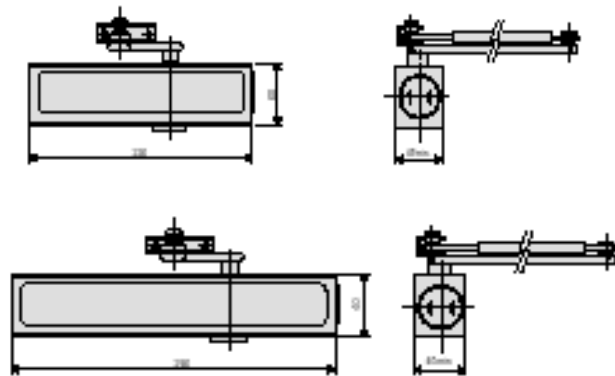
Special brackets available for use with overpanels or ornamental architraves

# T M S Scheduling

## Briton Door Closers

**Briton 210, 220, 230 & 240 Overhead Door Closers c/w Tri-Pack Universal Arm suitable for fixing Fig 1, 61 or 66**

**(Red Trimplate and Body c/w Matching Arm Illustrated)**



### Pattern Nos.

**210, 220, 230 & 240**

Standard Finish SE  
c/w Matching Arm

Also available in  
**Powder Coated**  
GES, NuS

### Dimensions – 210 & 220

Length	226mm
Width	60mm
Depth	48mm

### Dimensions – 230 & 240

Length	296mm
Width	60mm
Depth	48mm

### Features

Testing To BS EN 1154 in process

Tri-packed for Fig 1, 61 or 66

Backcheck supplied on 220, 230 & 240 models as standard

Delay Action supplied on 240 model as standard

### Power Sizes

**210** Power selectable by template - size 2-4

**220** Adjustable power by wind through - size 1-4

**230** Adjustable power by wind through - size 3-6

**240** Adjustable power by wind through - size 3-6

**Fire Assessed**– BS 476 Part22: 1987

# T M S Scheduling

## Briton Door Closers

### *121 series door closers*

The 121 series economy door closer offering



Available in Models

121-0-2 Fixed strength

121-0-3 Fixed strength

121-0-4 Fixed strength

Maximum angle of opening on all units 180 degrees

Speed of closing on all units can be adjusted from 180 degrees to 0 degrees

Latch Action to ensure final closing of the door fitted to all models

Suitable for fire doors when adjusted to power size 3 and above

Special brackets available for use with overpanels or ornamental architraves

# T M S Scheduling

## Briton Door Closers

**Briton 121 Overhead Door Closers c/w Tri-Pack Universal Arm suitable for fixing Fig 1, 61 or 66**

**(Silver Body c/w Matching Arm Illustrated)**



### **Pattern Nos.**

**121-0-2, 121-0-3 &  
121-0-4**

Standard Finish SE  
c/w Matching Arm

Also available in  
**Powder Coated**  
BES, GES, WTS

### **Dimensions**

Length	226mm
Width	60mm
Depth	48mm

### **Features**

Tri-packed for Fig 1, 61 or 66  
Also available with an ABS plastic cover

### **Power Sizes**

**121-0-2** Fixed strength - size 2  
**121-0-3** Fixed strength - size 3  
**121-0-4** Fixed strength - size 4

**Fire Assessed**– BS 476 Part22: 1987